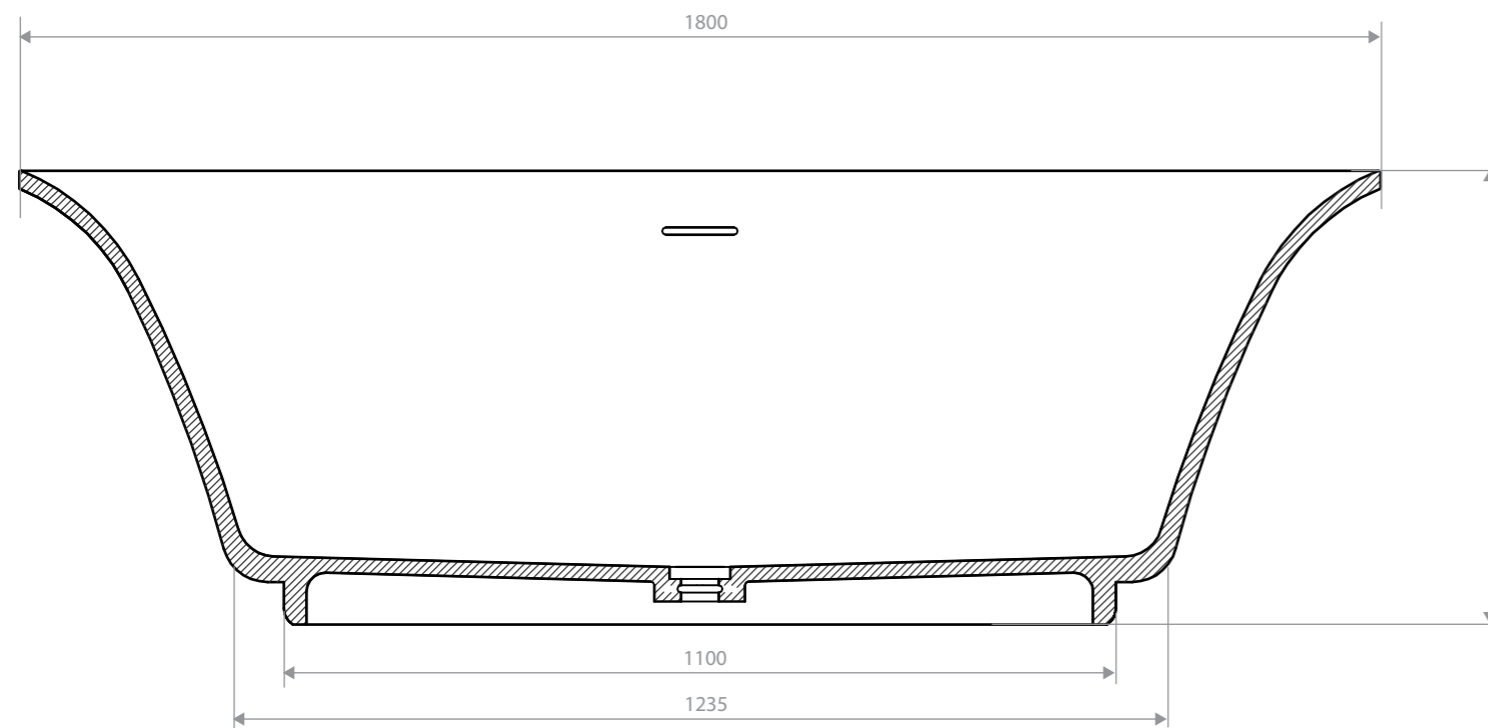
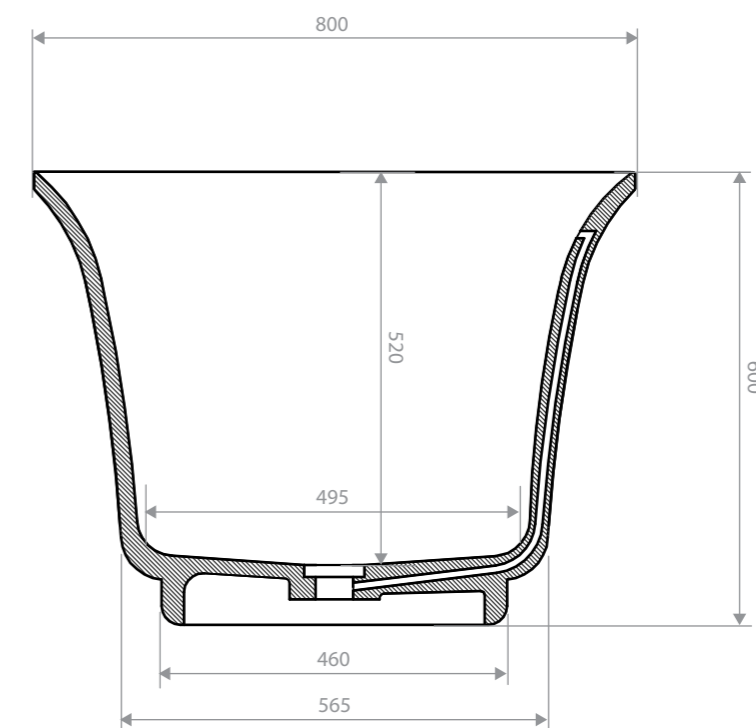


TOP VIEW



CROSS SECTION VIEW



SIDE VIEW

DESCRIPTION

Freestanding bathtub with overflow, comes with push pop-up waste in stone composite cover.

FINISHING

Matte White

MATERIAL

Natural Stone Composite

NOTE

Bathub Weight : approx 130kg.

REVISION

NO	DATE	REVISION



ENNE CREATIONS LIMITED
 UNIT D, 11/F, FOUR SEAS COMMUNICATIONS BANK BUILDING,
 NO. 49-51 BONHAM STRAND WEST, SHEUNG WAN, HONG KONG.
 TEL : +852 3594 6972

PRODUCT CODE

11802

DRAWING NO	REV	DATE
	0	12.06.20

DRAWN BY : JH

CHECKED BY :

PAGE	SCALE	A3
01 OF 01	1:10	

- All dimensions are in mm unless otherwise stated, dimensional tolerance of ±1% manufacturing standards.
 - Installations are based on recommendation only.
 - This drawing is property of Enne Creations Limited and is not to be reproduced or copied in whole or in part.
 - It is only to be used for the project and site specifically indentified herein and is not to be used in any other project.
 - It is to be returned upon request.