

*GE Series
Single Lever Lavatory Faucet
(Semi-tall Vessel)
(w/ Pop-up Waste)*



Features

- A beauty of traditional craft in characteristic sculptural form
- V-shaped edge extends up to the end of the spout generate multi sided reflections
- Easy Installation and Usage
- Long lasting, COMFORT GLIDE mechanism for a smooth operation

Specifications

Finish: Chrome
Material: Brass
Water Pressure: 0.05MPa~1.0MPa

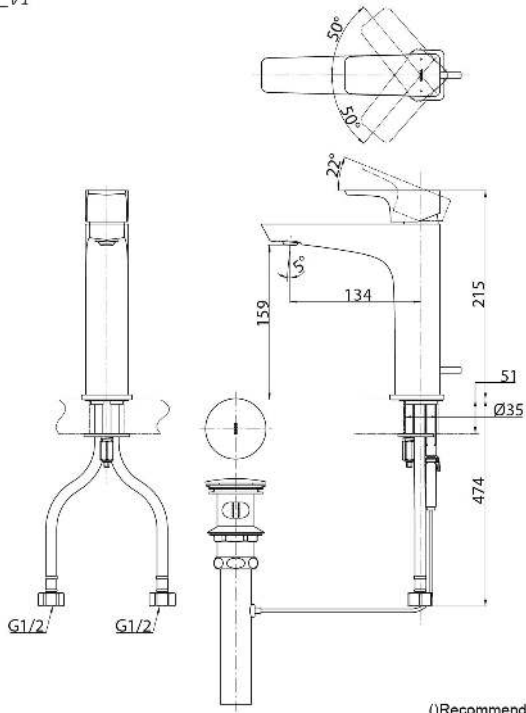
Parts description

- **TLG07303V_V1**
Single Lever Lavatory Faucet
(w/ Pop-up Waste)



red dot award 2018
winner

TLG07303V_V1



TLG07303V_V1

FAUCETS

Flow Rate

TLG07303V_V1

